



Alter Eagles Technical Rider

Spring 2020



Production Rider

ALL ENQUIRIES RELATIVE TO THIS DOCUMENT CAN BE DIRECTED TO:

BOOKING + BAND CONTACT: ROB BEATTIE +44 (0)7769902820 ALTEREAGLES@GMAIL.COM

or

TM + FOH ENGINEER: GLENN THROWER +44 (0)7745823053 GLENNTHROWER@GMAIL.COM

Please ensure all relevant personnel read the following document.

All elements to be prepared in advance of band load-in time to ensure a smooth-running and enjoyable working environment for all of us. Thank you!

Please also note that not all points are relevant for certain shows. Please disregard where not relevant or contact glennthrower@gmail.com to clarify in advance of show.

Brief

The Alter Eagles are an experienced, authentic Eagles tribute band. Formed in 2003, they perform the whole repertoire of Eagles tracks, from tasteful country rock - complete with full harmonies - through to hard rocking numbers, showcasing the Eagles' trademark duelling electric guitars.

Important notes for Venue FOH Manager. *No strobe lighting will be used in the show.*

Please *do not* place seats directly in front of speakers! Please also advise any audience member near a speaker that the sound could exceed comfortable levels – The Alter Eagles and FOH engineer will not accept liability for damages resulting from this request not being adequately adhered to. FOH engineer will also require a clear path from mixing position to stage.

A minimum of 1 first aider should also be at the venue from load in.

Transport

The band will have a touring party of no more than 7 people: we may also have additional guests/performers with us on certain shows. As such, they should be treated 100% as travel party.

There will be a maximum of 1 Mercedes Vito/Sprinter van and 5 separate cars.

The band require access to load/unload equipment close to the stage door as well as at least 2 safe parking spaces in proximity to the venue (van + 1 car), for use after load in until load out.

Where applicable, please supply a ramp for load-in.

Timings

Where possible we will need a maximum of 1 hour to load in, and an absolute minimum of 2 hours to soundcheck. If the band are playing a festival slot, a minimum 30-minute changeover is required where the band will need all monitor lines accommodated and checked before the performance can commence.

Stage Requirements

We will require the unobstructed use of the entirety of the venue's stage space. The stage will need to be safe, clear, clean and dry prior to load in.

If the stage is big enough and you have them available, please supply the following risers:

1x Drum riser - 8ft x 10ft on 2ft legs (if rolling it must have sufficient brakes to hold it still)

1x Keyboard riser - 8ft x 10ft on 2ft legs (if rolling it must have sufficient brakes to hold it still)

Please refer to stage plot for positioning.

Power Requirements

Minimum power to be accessible from load in on stage and at FOH position of the following: -

FOH: 2x 13A **Stage:** 4x 13A

Please ensure that all audio and backline power are running from the same isolated supply independent of any lighting or domestic circuits.

If any sockets are accessible from the audience, tape will be used to cover up the socket in case some decides to charge their phone.

Backdrop

The Alter Eagles will need to be able to hang/fly a banner sizing 19ft x 10ft / 5.8m x 3.1m.

Backline

The Alter Eagles will provide all backline unless previously discussed with the venue. This backline is for the sole use of the band members. If backline is being provided the band will bring breakables and some backline (please discuss prior to show)

Touring Audio Equipment

The Alter Eagles will **always** tour with their own FOH engineer running monitors and FOH.

FOH mix position will need to be at the centre of the stereo image, on the ground floor and with a clear path to the stage. The area around mixing position must be unobstructed and protected against audience members.

The band are currently touring with the following equipment. Please note all equipment is for the sole use of the band unless agreed prior to the show:

1x Behringer X32 Desk

1x Behringer S32 StageBox

1x 100m Cat 5e Cable (on reel)

2x HK Audio Linear L5 112 Mid/Top Speaker

2x HK Audio Linear L Sub 1200A Active Sub

2x HK Audio Linear L Sub 1200A Passive Sub

1x Wireless IEM

2x Wired IEM

4x LD System Mon12a Monitor Wedges

1x DI Rack (And various boxes for use with all band instruments)

Microphone Package for all band inputs

XLR/Jack/13a Cables enough for band setup

Microphone stand package enough for band setup

If the band are using the venue's FOH PA System

We require a professional quality STEREO P.A. system of adequate size and power to guarantee fully consistent sound throughout the venue. The system should comfortably provide a full spectrum of clear, undistorted audio.

The PA system must have appropriate processing to protect from any unintentional or accidental peaks or excesses in audio level, with no liability or responsibility held by the FOH engineer or The Alter Eagles for damages resulting from this request not being adequately adhered to.

All our Equipment is P.A.T tested, and we have public liability insurance
(Please contact us by email if you would like a copy of either of these certificates)

Lights

The Alter Eagles do not currently tour with a Lighting Engineer.

If lighting is being provided by the venue then please provide sufficient lighting for the stage and a competent, sober and English-speaking engineer who is well versed with the equipment and production methods used within the venue.

Due to the variety of venues we play, below is a general lighting plan which can be adapted to fit the configuration and inventory of each venue. Please check the stage plot for positioning.

Lighting States: -

1. *Walk-In/Preshow - Red focused on banner (the banner should always stay lit)*
2. *During Songs - General stage wash from above/front mainly warm colours but at least RGB.*
4. *Between Songs - White stage wash for talking between songs*
5. **Individual Spots** - *For Each member of the band. 4 along the front. Drum riser and keys riser*
6. *Downstage Wash - Covering the four musicians (mainly for vocal harmonies)*
7. *Upstage Wash - Covering the drums and keys player*

The TM will cue lights and give colour schemes for each song based on the above.

The Alter Eagles would prefer not to use any sound-to-light units or fast chase sequences. Haze and fog is accepted but please do not place directly next to any band member.

If possible a 2-way working communication unit will be required at lighting position and FOH position.

Merchandise

The Alter Eagles may sell CDs after the show in the bar area or in front of the stage after the show, they will advertise this during the show. Please liaise with the band on the day to finalise any relevant details.

Hospitality

Every venue is different but please provide at least 1 dressing room with air conditioning/heating or area for the band to change.

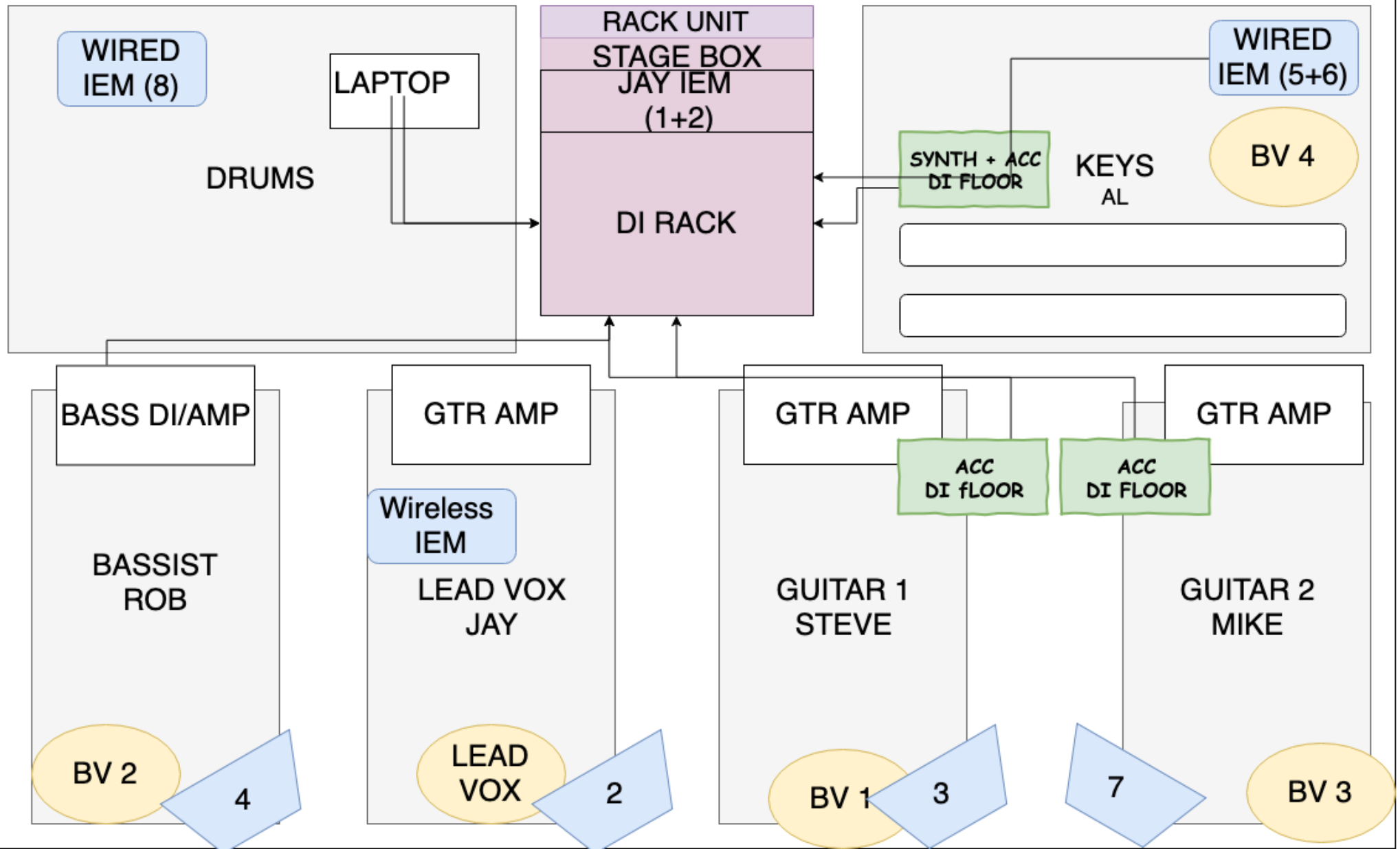
Minimum Band Rider

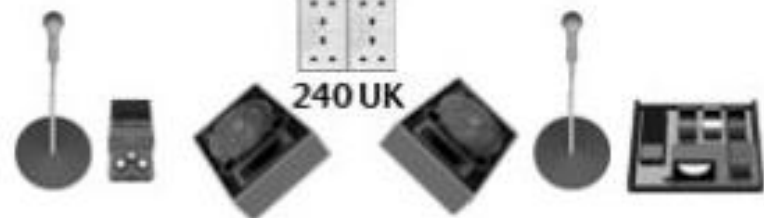
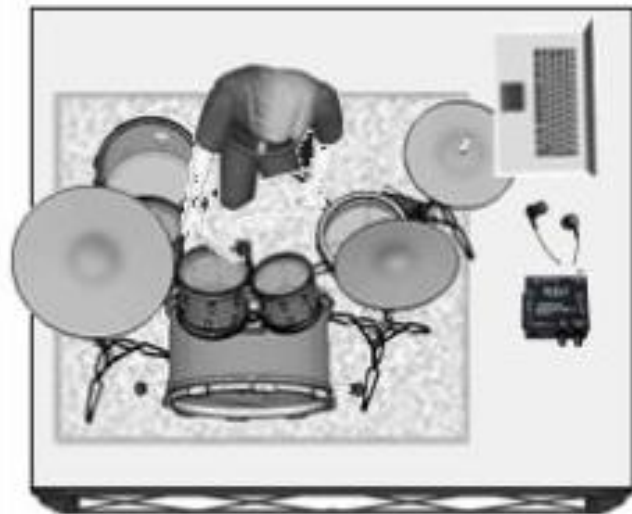
- 12 bottles of drinking water – for use backstage and onstage
- Tea and coffee is naturally always appreciated but this is not essential.
- 7 half-time drinks from the bar ready and waiting in the dressing room is also always appreciated (we'll place an order before the show)

Where there are no catering/restaurant facilities within the venue, please supply the TM with the following prior to the event;

- Location of near-by pub, accessible via walking.
- Location of near-by restaurant serving a variety of meat and vegetarian meals.
- If the above is not applicable, please supply take-away options upon arrival.

Backdrop to be flown / hung (19ft x 10ft / 5.8m x 3.1m)





INPUT LIST

INPUT	ALT.	INSTRUMENT	MIC/DI	STAND/NOTES ETC	STAGE POSITION	ALT STAGE POSITION	STAGE BOX
1		KICK	D112/D6	INSIDE DRUM	USR	DRUMS	A1
2		SNARE	SM57	SHORT BOOM	USR	DRUMS	A2
3		HI HAT	C1000	TALL BOOM TRIPOD	USR	DRUMS	A3
4		OVERHEAD - RIGHT	C1000	TALL BOOM TRIPOD	USR	DRUMS	A4
5		OVERHEAD - LEFT	C1000	TALL BOOM TRIPOD	USR	DRUMS	A5
6		BACKING TRACK	DI RACK	-	USC	RACK UNIT	A6
7		CLICK	DI RACK	MONITORS ONLY	USC	RACK UNIT	A7
8		BASS DI	DI RACK	-	USC	RACK UNIT	A8
9		GTR 1 - STEVE	SM57/E906	SHORT BOOM	DSR	GUITAR 1	A9
10		GTR 2 - JAY	SM57/E906	SHORT BOOM	DSL	GUITAR 2	A10
11		GTR 3 - MIKE	SM57	HANG OVER GRILL	DSC	GUITAR SINGER	A11
12		BV VOX 1 - STEVE	SM58	TALL BOOM TRIPOD	DSR	GUITAR 1	A12
13		LEAD VOX 1 - JAY	SM58 BETA	TALL BOOM TRIPOD	DSC	SINGER	A13
14		BV VOX 2 - ROB	OM7	TALL BOOM TRIPOD	DSC	BASSIST	A14
15		BV VOX 3 - MIKE	SM58	TALL BOOM TRIPOD	DSL	GUITAR 2	A15
16		BV VOX 4 - AL	ATM710	TALL BOOM TRIPOD	USL	KEYS	A16
17		KEYS LEFT	XLR OUT	-	USL	KEYS	A17
18		KEYS RIGHT	XLR OUT	-	USL	KEYS	A18
19		KORG SYNTH	FLOOR DI BOX	SHARED WITH 20	USL	KEYS	A19
20		ACC GUITAR - AL	FLOOR DI BOX	SHARED WITH 19	USL	KEYS	A20
21		ACC GUITAR - MIKE	FLOOR DI BOX	NEXT TO AMP	DSL	GUITAR 2	A21
22		ACC GUITAR - STEVE	FLOOR DI BOX	NEXT TO AMP	DSR	GUITAR 1	A22
23		-	-	-	-	-	A23
24		-	-	-	-	-	A24
25		RACK TOM 1	E604	CLIP	USR	DRUMS	A25
26		RACK TOM 2	E604	CLIP	USR	DRUMS	A26
27		FLOOR TOM - FRONT	E604	CLIP	USR	DRUMS	A27
28		FLOOR TOM - BACK	E604	CLIP	USR	DRUMS	A28
29		BLANK	-	-	-	-	A29
30		BLANK	-	-	-	-	A30
31		AMBIENT MIC L	C451	MONITORS ONLY	NEAR SPEAKER L	-	A31
32		AMBIENT MIC R	C451	MONITORS ONLY	NEAR SPEAKER R	-	A32

OUTPUT LIST

OUTPUT	ALT.	MONITOR	TYPE	NOTES	STAGE POSITION	ALT STAGE POSITION	STAGE BOX
1		JAY IEM	WIRELESS IEM	PATCHED IN	USC	RACK UNIT	B1
2		JAY WEDGE	WEDGE		DSC		B2
3		STEVE	WEDGE		DSR	GITAR 1	B3
4		ROB	WEDGE		DSC	BASSIST	B4
5		AL L	WIRED IEM	XLR TO POSITION	USL	KEYS	B5
6		AL R	WIRED IEM	XLR TO POSITION	USL	KEYS	B6
7		MIKE	WEDGE		DSL	GITAR 2	B7
8		MATT	WIRED IEM	XLR TO POSITION	USR	DRUMS	B8
9-14	BLANK OR FOR MATRIX USE						
15		LEFT PA		RED CABLE	DSR		A15
16		RIGHT PA		RED CABLE	DSL		A16